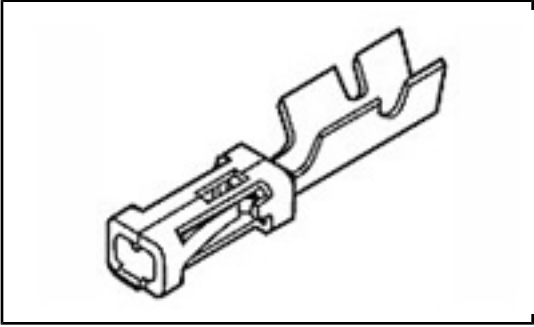


6-102316-3 Product Details



6-102316-3

TE Internal Number: 6-102316-3



[Active](#)

.100 AMPMODU Headers, Housings & Contacts



[Always EU RoHS/ELV Compliant \(Statement of Compliance\)](#)

Product Highlights:

- Contact
- Contact Type = Receptacle
- Terminate To Wire
- Wire Insulation Diameter = 1.02 mm
- Wire Range = 0.03-0.10² [32-27] mm [AWG]

[View all Features](#)

Documentation & Additional Information

Product Drawings:

- [CONTACT, FEMALE, MOD IV CRIMP SNAP-IN](#) (PDF, English)

Catalog Pages/Data Sheets:

- [AMPMODU_INTERCONNECTION_SYSTEM_SECTION5_CONT](#) (PDF, English)

Product Specifications:

- [PRODUCT SPECIFICATION INTERCONNECTION SYSTEM, AMPMOD...](#) (PDF, English)

Application Specifications:

- [AMPMODU MOD IV, IV1/2, and V Receptacles and Housings](#) (PDF, English)

Instruction Sheets:

- None Available

CAD Files: ([CAD Format & Compression Information](#))

- [2D Drawing](#) (DXF, Version R1)
- [3D Model](#) (IGES, Version R1)
- [3D Model](#) (STEP, Version R1)

[List all Documents](#)

Additional Information:

- [Product Line Information](#)

Related Products:

- [Tooling](#)

Product Features (Please use the Product Drawing for all design activity)

Product Type Features:

- Product Type = Contact
- Wire Insulation Diameter (mm [in]) = 1.02 [0.040]
- [Connector Series](#) = Mod IV
- Wire Termination Type = Crimp
- With Insulation Support = Yes
- Applied Pressure = Standard
- Comment = (*) For use with Model "K" machines. Call the Technical Assistance Center (1-800-522-6752) for part numbers of applicators for use with Model "G" machines, as well as other bench machines and fully automatic AMPOMATOR lead making machines.

Electrical Characteristics:

- Voltage Rating (VAC) = 250
- Contact Current Rating (Amps.) = 3
- Termination Resistance (m Ω) = 12
- Insulation Resistance (M Ω) = 5,000
- Dielectric Withstanding Voltage (V) = 750

Termination Related Features:

- Crimp Area Plating = Tin

Body Related Features:

- [Wire Range \(mm \[AWG\]\)](#) = 0.03-0.10² [32-27]

Contact Related Features:

- Contact Type = Receptacle
- [Contact Mating Area Plating Material](#) = Gold (15)
- Contact Base Material = Copper-Tin-Phosphor Bronze
- Approved Standards = UL E28476, CSA LR7189

Industry Standards:

- [RoHS/ELV Compliance](#) = RoHS compliant, ELV compliant
- [Lead Free Solder Processes](#) = Not relevant for lead free process
- RoHS/ELV Compliance History = Always was RoHS compliant

Conditions for Usage:

- [Terminate To](#) = Wire
- Operating Temperature (°C) = -65 – +105

Packaging Related Features:

- Packaging Method = Loose Piece

Other:

- Brand = AMP